

Ultrasonic Multi-chamber Cleaning Systems

Range of Products:

- ★ Table Top Compact Cleaners :From 1.5 Lits To 28 Lits
- ★ Multi-frequency Ultrasonic cleaning bath
- ★ Industrial Cleaners: From 50 Lits To 250 Lits
- ★ Customized Single chamber Ultrasonic cleaners of any capacity
- ★ Conveyorized Ultrasonic cleaning systems
- ★ Online Ultrasonic wire / strip cleaning system
- ★ Multi-chamber Ultrasonic cleaning systems
- ★ Single chamber multi operation cleaning systems (coarse /intermediate / fine cleaning)
- ★ Vapour degreasing systems
- ★ Ultrasonic Components :TUBE RESONATORS , ECO-GENERATORS, IMMERSIBLE BOXES,TRANSDUCERS etc

Highest Cleaning Quality Through Advanced Industrial Cleaning Techniques

COMPONENT CLEANING - INTEGRAL PART OF MODERN PRODUCTION SEQUENCE

Cleaning is, almost by definition, a part of any manufacturing process for the removal of sufficient surface contamination to make something suitable for the next phase of its use. It may come in at the raw material prep stage, some intermediate manufacturing stage, and prior to surface finishing such as plating or painting or before final packaging. Industrial cleaning system plays a key role during final manufacturing stages for the cleaning of various components. Its demand has been ever increasing as highly cleaned components are needed for various production units in reduced/less time. This is not only to create conditions for trouble free manufacturing but also decides the quality and service life of the end product. The cleaning sequence depend on various aspects like: type of component, material, surface quality, type of contamination and required cleanliness level in terms of Millipore as well as particle Size.

Applications

- ★ Cutting Oils / Coolant and chips removal from Machined Metal Components
- ★ Inks and Toners
- ★ Textile Industries: Cleaning of Spinnerets, Candle Filter, Ceramic Nozzles/Jet Inserts, Texturing Discs, Spinning Aprons, Machine Components etc.
- ★ Fingerprints and Other Oils
- ★ Final Cleaning of Parts Prior to Critical Coating applications
- ★ Filter Cartridge Cleaning
- ★ Automotive components cleaning e.g. Engine Block and Cylinder Head etc
- ★ Engine Transmissions
- ★ Precision and Non-precision Bearings
- ★ Wire Drawing Lubricant Removal
- ★ Printing Rollers
- ★ Optics and Lenses
- ★ Hard Disk Drive Components
- ★ Plastic Injection Molding dies
- ★ Electronic PC Boards

Typical Stages Of Multichamber

- ★ Pre-cleaning
- ★ Ultrasonic-cleaning
- ★ Rinsing
- ★ Anti-rust coating
- ★ Hot air drying
- ★ Vacuum drying
- ★ Selection of number of stages depends upon the desired cleanliness level
- ★ Available systems :- 3 to 10 chambers

Salient Features:

- ★ Advanced proven SWISS TECHNOLOGY
- ★ Micro-processor controlled Ultrasonic Generators
- ★ Options available for multiple frequencies: 20 /25 / 30 / 36 / 40 / 80 /120 Khz
- ★ Use of high efficiency Ultrasonic components like patented Tube Resonators / Immersible Transducers box / conventional Transducers
- ★ Various options available to choose from: High pressure jet cleaning /Inject flood washing / Turbulence / Plain dip / Ultrasonic cleaning /Ultrasonic rinsing / Anti-rust coating / Hot air drying / vacuum drying
- ★ Provided with filtration / recovery units / oil separators
- ★ Automated Material Handling systems
Design of baskets / trays / fixtures to get the optimum throughput with required cleanliness level
- ★ Well equipped Lab available for Millipore testing which allows selecting / recommending / designing optimum system for desired cleanliness level.

Ultrasonic Components

- ★ High efficiency tube resonator (patented) available in various length with both single ended and double ended design, various output capacity such as 150 W, 500 W, 700 W, 1000 W and 1500 W with frequencies 20, 25, 30, 36 and 40 kHz.
- ★ Immersible box transducers with various output capacities (200 W, 400 W, 600 W, 1000 W and above) and frequencies (20, 30, 35, 40 kHz)
- ★ Bonded Transducers (PZT sand-witch type)
- ★ Highly advanced microprocessor controlled modular ultrasonic generators (ECO series) of various capacities available with various attachments for fault indication & optimum monitoring of ultrasonic power



TUBE RESONATOR

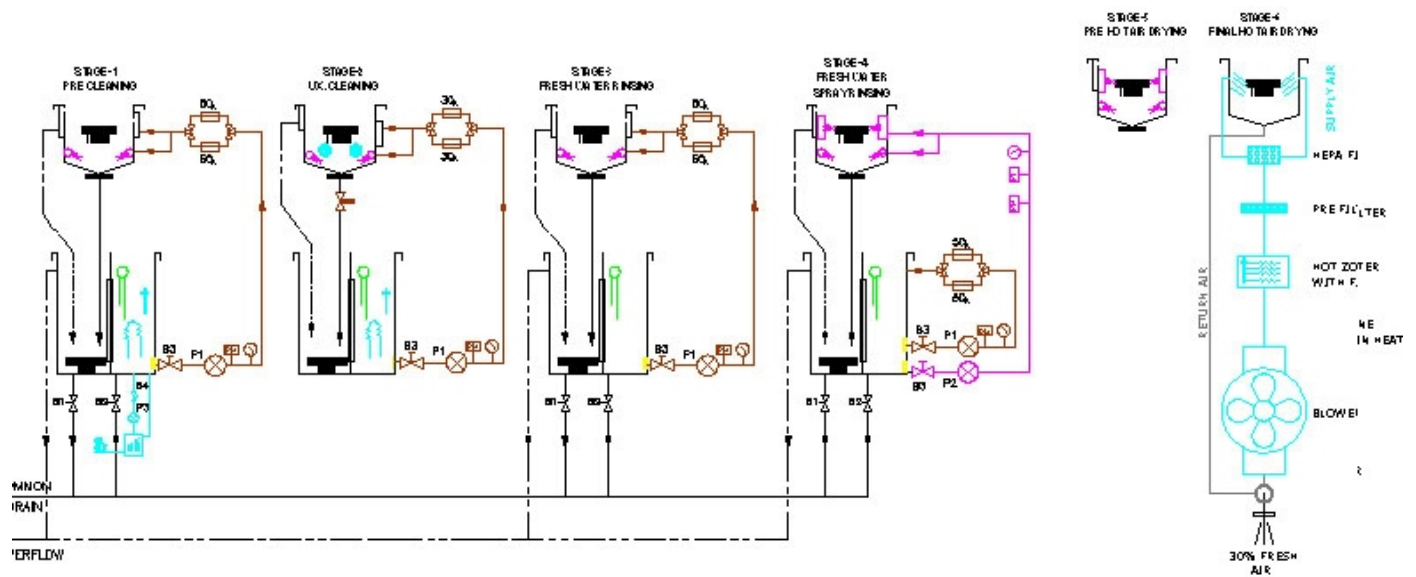


IMMERSIBLE BOX



ECO GENERATOR

A TYPICAL PROCESS DIAGRAM OF MULTICHAMBER CLEANING





We develop and offer complete cleaning solution for any of your cleaning requirements. Our most advanced technologies provide long term cleaning and environmental solution to the industry. Our special application & technology support cell members are always available to guide our customers.

CONTACTS

Factory

Gandhinagar

Tel: 079-23287452 / 23287454 Fax: 2328 7455

Branch Offices & Representatives

New Delhi

Tel: 011-2237 8502 / 2237 7196

Indore

Tel: 09827431893

Chennai

Tel: 044-2435 4384 / 24355 4385

Kolkata

Tel: (033) 2215 8772 /3

Hyderabad

Tel: 09848565781

Aurangabad

Tel: 09423028028

Vadodara

Tel: 09825007609

Pune

Tel: 09004023199

Bangalore

Tel: 09845129401

Coimbatore

Tel: 09944974494

Exports

Tel: +919004023197

Email: export@rooptelsonic.com.

Thailand

Tel: +66817355453

Malaysia

Tel: +60194767447

Vietnam

Tel: +84989551089



Roop Telsonic Ultrasonix Ltd.

Reg. Off : A/41, Nandkishore Industrial Estate, Off Mahakali Caves Road, Andheri (E), Mumbai - 400 093.

Corporate Office : 8C, 32 Corporate Avenue, Mahal Industrial Estate, Off Mahakali Caves Road, Andheri (E), Mumbai - 400093.

Tel: 022-26870990/0981/1034, 42111500 Fax : 42111505/26870004 E-mail: sales@rooptelsonic.com Web: www.rooptelsonic.com